

**KALDEWEI**

Europas Nr. 1 in Badewannen

# EINBAUANLEITUNG MULTIVERSO

Installation instructions  
Instructions d'installation  
Istruzioni di montaggio  
Instrucciones de montaje



**Installation Instructions**

Sanitary fitter

1

**Installation Instructions**

Tiler

9

**THE MULTIVERSO COVERING SYSTEM**

Take a little time and read the mounting instructions of the MULTIVERSO covering system carefully.

In these mounting instructions, the pictograms described below are used. They refer to instructions and notes which require your special attention.



The function of the MULTIVERSO covering system may be disturbed.



This may damage your health or that of any other person using it.

**EXPLANATION**

- Kaldewei prepared these mounting instructions to the best of its knowledge.
- Kaldewei reserves the right to change the contents of the mounting instructions without being obliged to inform any third parties.
- Kaldewei reserves the right to modify and improve the technical system without being obliged to inform any third parties. Please read the attached additional information, if necessary.
- No part of these mounting instructions may be reproduced or transferred otherwise without the express approval of Kaldewei.

**CONTENTS**

SCOPE OF SUPPLY .....	2	FASTENING OF THE FILLERS .....	5
MOUNTING SITUATIONS.....	2	ADJUSTMENT OF THE HEIGHT .....	5
TRANSPORT .....	3	SETTING UP THE MULTIVERSO .....	6
BINDING MOUNTING INSTRUCTIONS.....	3	MOUNTING OF THE FIXING DEVICES .....	6
SETTING UP THE WHIRLPOOL.....	3	CUTTING THE FRONT PANELS TO SIZE.....	7
CONNECTION OF THE LONGITUDINAL/ SIDE PARTS.....	4	HANGING UP THE FRONT PANELS.....	7
CUTTING THE LONGITUDINAL/SIDE PARTS TO SIZE .....	4	LAYING OF TILES.....	8

D

**GB**

F

I

E

**Installation Instructions**  
Sanitary fitter

### SCOPE OF SUPPLY

The MULTIVERSO covering system is preassembled. The contents of the packing are subjected to extensive quality and performance checks.

The number of the MULTIVERSO longitudinal or side parts required depends on the mounting situation.

MULTIVERSO longitudinal part, consisting of:

- Frame with adjustable supports, magnetic holder and fixing devices
- 2 front panels with holders and retaining chains
- Nipple for opening the front panels

MULTIVERSO side part, consisting of:

- Frame with adjustable supports, magnetic holder, fixing devices and corner joints
- 1 front panel with holders and retaining chains

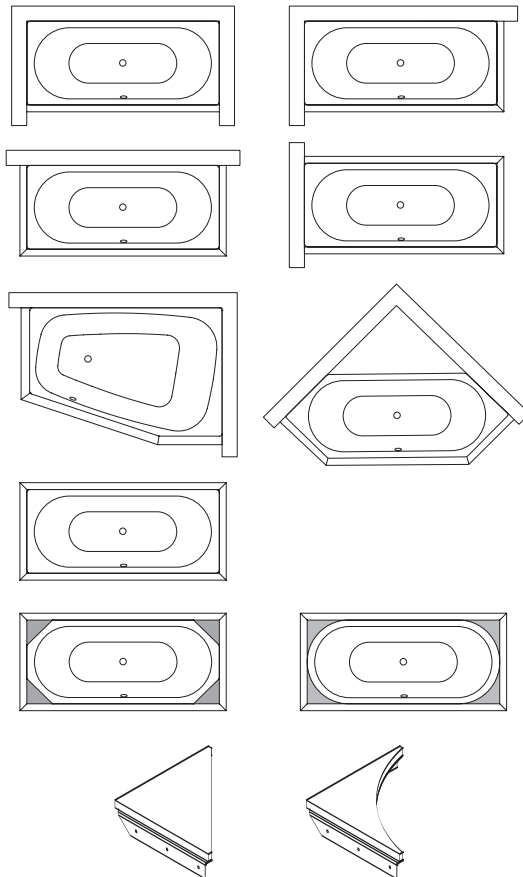
### MOUNTING SITUATIONS

MULTIVERSO can be used in the following mounting situations.

The installation of the MULTIVERSO is explained below, taking the mounting situation „left room corner“ as an example. Any other mounting situations shall be derived from that.



In the case of oval or octagonal bathtubs, fillers have to be installed in addition. These fillers have to be ordered separately depending on the tub model.



D

GB

F

I

E

**Installation Instructions**  
Sanitary fitter

## TRANSPORT

The following instructions have to be observed when transporting the MULTIVERSO:



Transport the MULTIVERSO in its delivery packing only and avoid improper loads.



Kaldewei shall not assume any liability for damage incurred due to improper intermediate storage and for damage in transport resulting from the non-compliance with the stated instructions.

## BINDING MOUNTING INSTRUCTIONS



The installation of the MULTIVERSO must be carried out by an authorized sanitary shop.



When installing the bathtub, protect the surface of the bathtub, the wall and floor tiles and the MULTIVERSO from damage.



Avoid soiling of any kind which might cause clogging when the siphon trap is installed.

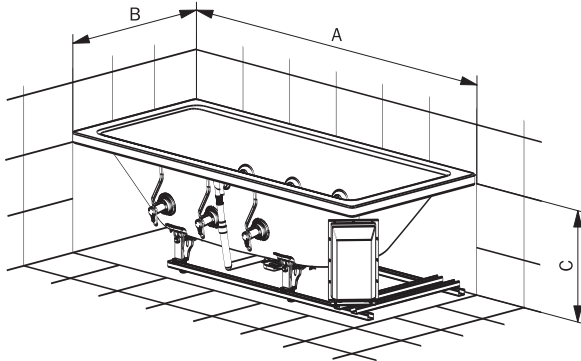


All work has to be carried out using special technical tools.



After completed installation of the MULTIVERSO, these mounting instructions and the nipple have to be handed over to the owner (end user) or to the supervisor or architect acting as an agent.

## SETTING UP THE WHIRLPOOL



- Set up the whirlpool in accordance with the attached mounting instructions and secure it by means of anchors.
- Connect the supply and waste pipes (see Note I).



The place of installation of the whirlpool or of the MULTIVERSO may be completely tiled or should be tiled up to the dimensions shown in the illustration. If the wall tiles are laid after the installation of the whirlpool, the arrangement of the tiles has to be taken into account when cutting the front panels to size.

A = Tub length

B = Tub width

C = Tub height up to bottom edge of bathtub rim



Note I: The installation of the whirlpool, the connection to the electrical mains and the elimination of malfunctions and/or defects must be carried out by a specialist shop which is able to prove its knowledge and competence with regard to the application of the national safety regulations, e.g. to power and water supply/drainage, to the relevant authorities.

D

GB

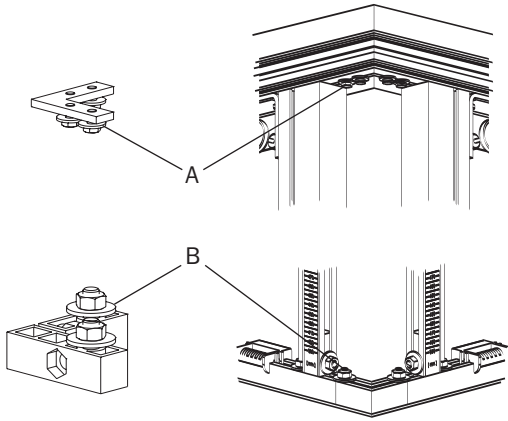
F

I

E

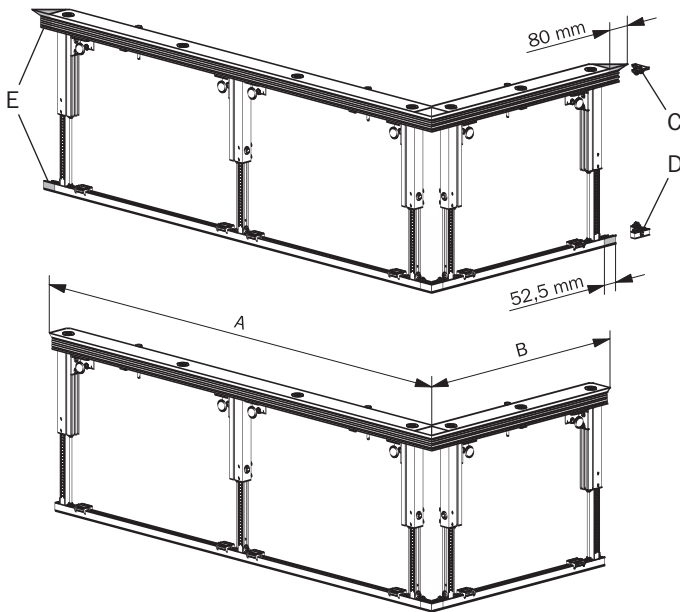
**Installation Instructions**  
Sanitary fitter

## CONNECTION OF THE LONGITUDINAL/SIDE PARTS



- Push the corner joints of the side parts (A, top and B, bottom) into the longitudinal parts and tighten the screws.

## CUTTING THE LONGITUDINAL/SIDE PARTS TO SIZE



The side parts need not be cut to size for „free-standing“ and hexagonal bathtubs.

A = Tub length + 80 mm

B = Tub width + 80 mm

- Loosen and remove the corner joints (C, D) which are not required.
- Saw off the marked upper and lower ends (E) of the longitudinal/ side parts by means of a metal cutting saw or compass saw in accordance with the mounting situation.
- Deburr the cut edges.
- Check the fitting lengths (A and/or B).

D

GB

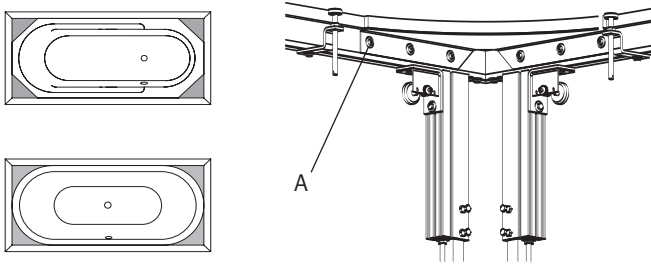
F

I

E

Installation Instructions  
Sanitary fitter

## FASTENING OF THE FILLERS



- Insert the fillers and fasten them by means of the attached self-drilling screws and washers (A) (see Note I).



In the case of oval or octagonal bathtubs, fillers have to be installed in addition.



Note I: The filler must be fastened flush with the top surface line of the MULTIVERSO.

D

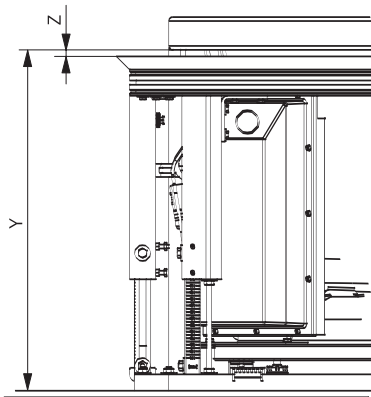
GB

F

I

E

## ADJUSTMENT OF THE HEIGHT



MULTIVERSO is preadjusted to a height of 610 mm. Adjusting heights possible from 390 mm to 610 mm.

- X = Height adjusted at the MULTIVERSO
- Y = Installation height (bottom edge of bathtub rim to floor tile)
- Z = Tiles mounted above upper surface line of bathtub

### CALCULATION OF ADJUSTING HEIGHT

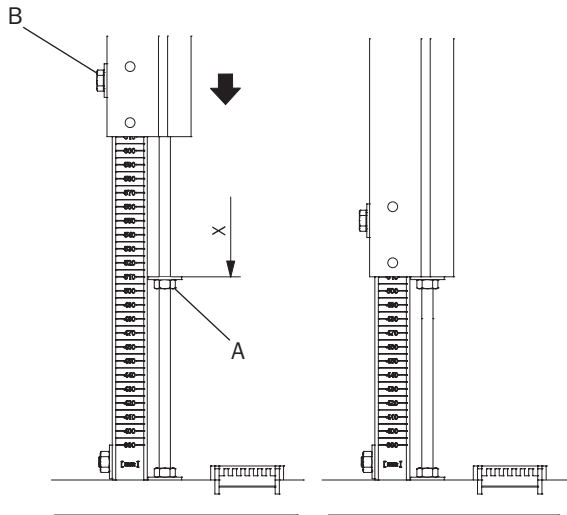
$$X = Y - Z$$



The mounting of the tiles and/or the covering of the bathtub surface line by means of marble, granite or wood „Z“ shall be coordinated with the tiler

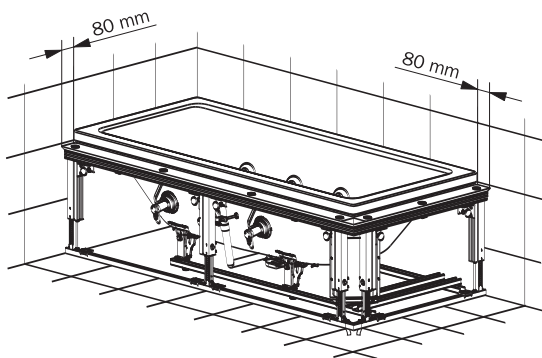


Note I: Should the upper part jam when pushed down, use a hammer with striking pad, if necessary, on the top surface of the MULTIVERSO.



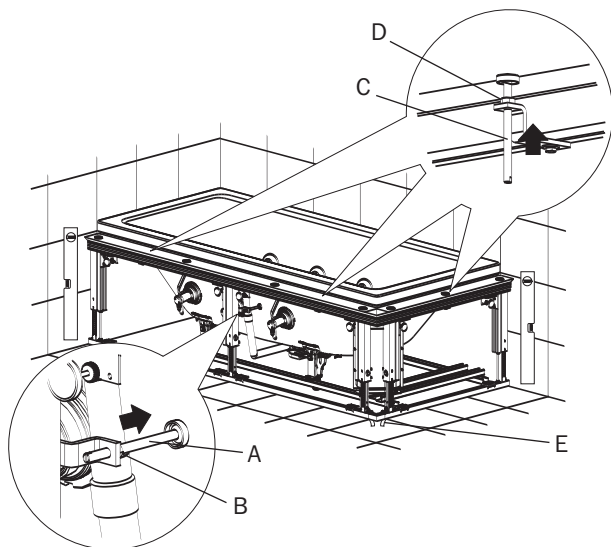
- Determine the adjusting height "X".
- Turn the setting screws (A) with washers of all the supports to adjusting height „X“.
- Loosen the binding screws (B) of all the supports.
- Push down the upper part of the MULTIVERSO uniformly to adjusting height "X" at all the supports (see Note I).
- Tighten binding screws (B) of all the supports.
- Slightly counterrotate setting screws (A) of all the supports.

### SETTING UP THE MULTIVERSO



- Place MULTIVERSO in front of the whirlpool at a distance of 80 mm from the outer bathtub rim.
- Check the adjusting height and readjust it, if necessary.

### MOUNTING OF THE FIXING DEVICES



- Turn the edge fixing device (C) outwards until it is below the bathtub rim and secure it against moving by means of the hexagon nut (D) (see Note I).
- Turn the side fixing device (A) outwards until it contacts the bathtub side and secure it against moving by means of the hexagon nut (B) (see Note I).
- Use a water level to vertically align the longitudinal and side parts.
- Pull off mirror tape (E) for bottom fixing below the longitudinal and side parts (see Note II).



Note I: If system components of the whirlpool or any other components obstruct the mounting of the fixing devices, these devices can be detached and displaced accordingly.



Note II: Should the floor tiles below the longitudinal and side parts be uneven, the longitudinal and side parts have to be sealed with the corresponding flexible sealant (e.g. silicone, acrylic) to prevent the formation of creep water.

D

GB

F

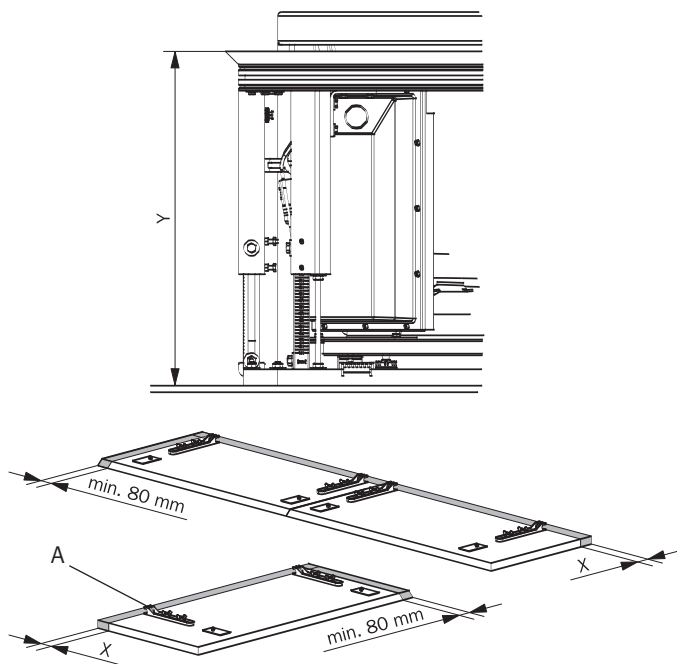
I

E

Installation Instructions  
Sanitary fitter



## CUTTING THE FRONT PANELS TO SIZE



- Determine the cutting height "X".
- Loosen the holders (A) and displace them by cutting height "X" (shift them to the upper bores, if necessary).
- Mark cutting height "X".
- Cut front panels to size using a cutter or hand saw.
- Cut sides of front panels to size by 80 mm (see Note I).

X = Cutting height of front panels

Y = Installation height (upper edge of MULTIVERSO to floor tile)

### CALCULATION OF CUTTING HEIGHT

$$X = 610 \text{ mm} - Y$$

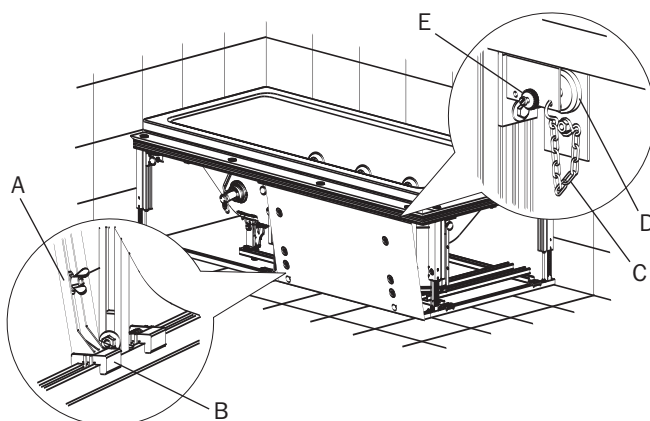


For the operation of the whirl system, it is necessary that air can circulate underneath the pool. For that purpose, a 10 mm shadow edge is provided underneath the front panels which results from the calculation of the cutting height described above.



Note I: Depending on the mounting situation, the appropriate sides of the front panels (see figure) have to be cut to size by 80 mm. If the wall tiles are mounted after the installation of the whirlpool, the arrangement of the tiles has to be taken into account when cutting the front panels to size.

## HANGING UP THE FRONT PANELS



- Place the holders (A) of the front panels into the receivers (B) (shift receivers (B), if necessary).
- Hang up retaining chain (C).
- Adjust holding magnets (D) at the setting screw (E) such that the front panels are in flush arrangement.



Should the front panels not be flush at the upper edge of the MULTIVERSO, the position of the holders (A) or the adjustment of the holding magnets (D) shall be checked.

D

GB

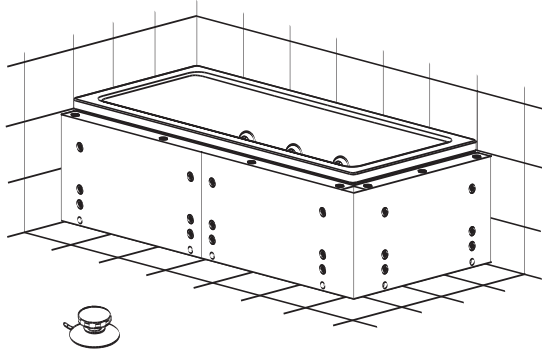
F

I

E

**Installation Instructions**  
Sanitary fitter

**LAYING OF TILES**



As soon as the MULTIVERSO has been fastened, the work of the sanitary fitter is completed and the tiles shall be laid as described from page 9 of these mounting instructions.

GO ON ON PAGE 9



**Installation Instructions**

Tiler



The mounting instructions and the attached nipple for opening of the front panels shall be handed over to the tiler until completion of his work.

D

GB

F

I

E

**Installation Instructions**  
Sanitary fitter

**THE MULTIVERSO COVERING SYSTEM**

Take a little time and read the mounting instructions of the MULTIVERSO covering system carefully.



The function of the MULTIVERSO covering system may be disturbed.

In these mounting instructions, the pictogram described below is used. It refers to instructions and notes which require your special attention.

**EXPLANATION**

- Kaldewei prepared these mounting instructions to the best of its knowledge.
- Kaldewei reserves the right to change the contents of the mounting instructions without being obliged to inform any third parties.
- Kaldewei reserves the right to modify and improve the technical system without being obliged to inform any third parties. Please read the attached additional information, if necessary.
- No part of these mounting instructions may be reproduced or transferred otherwise without the express approval of Kaldewei.

**CONTENTS**

BINDING MOUNTING INSTRUCTIONS.....	10	FUNCTIONAL CHECK .....	11
TILING OF THE FRONT PANELS .....	10	POINTING THE FRONT PANELS .....	11
TILING OF THE BATHTUB SURFACE LINE .....	10		

D

GB


F


I


E

**Installation Instructions**  
Tiler

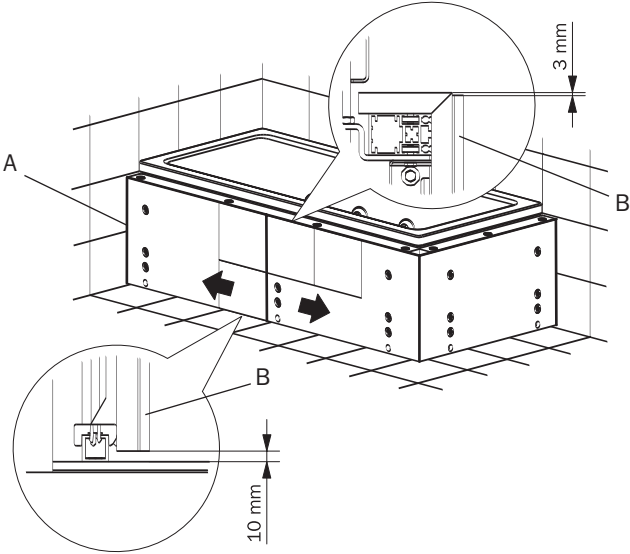
### BINDING MOUNTING INSTRUCTIONS


 When installing the bathtub, protect the surface of the bathtub, the wall and floor tiles and the MULTIVERSO from damage.


 Avoid soiling of any kind which might cause clogging when the siphon trap is installed.


 All work has to be carried out using special technical tools.

### TILING OF THE FRONT PANELS



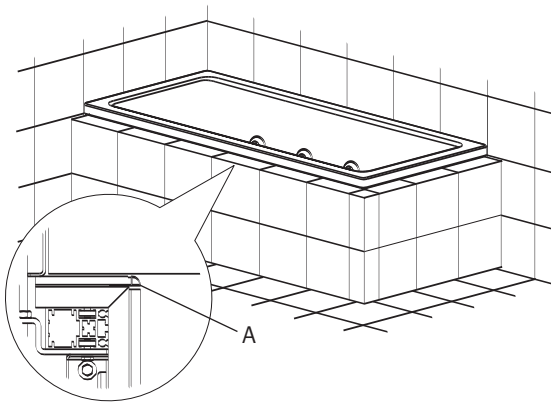
 Note I: The tiles (B) shall be mounted with a gap of at least 3 mm (A, see detail) around the front panels. That gap guarantees the free movement of the front panels and shall be flexibly sealed later on.


 Note II: The tiles mounted on the front panels must not be higher than 15 mm.


 Note III: For the operation of the whirl system it is necessary that air can circulate underneath the pool. To that end, the 10 mm shadow edge between front panels and floor tiles must not be covered by tiles.

- Lay the tiles starting in the middle of the longitudinal part (see Notes I/II/III).

### TILING OF THE BATHTUB SURFACE LINE



 Tip: When mounting the tiles, it is recommended to use a plastic or metal profile bar (A).

 Uniform coverings of the bathtub surface line by marble, granite or wood can be mounted either flush or with a projection.

- The tiles laid along the bathtub surface line reach below the bathtub rim.

D

GB

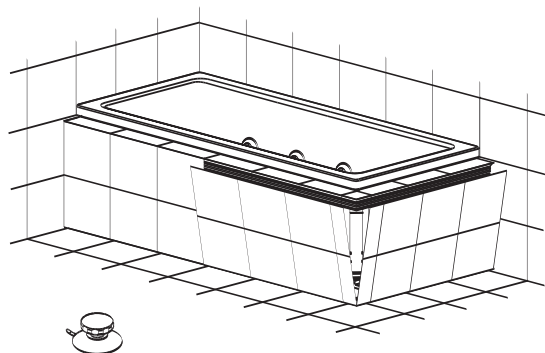
F

I

E

Installation Instructions  
Tiler

## FUNCTIONAL CHECK

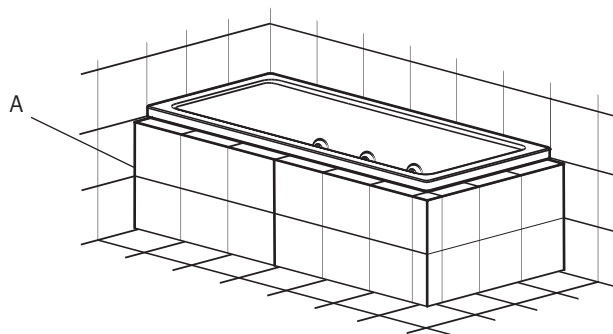


- Open and close all the panels several times using the attached nipple.
- Check the free movement.



After completed installation of the MULTIVERSO, these mounting instructions and the nipple have to be handed over to the owner (end user) or to the supervisor or architect acting as an agent.

## POINTING THE FRONT PANELS



- Point the gaps (A) between the front panels and the continuous edge below the bathtub rim with sealing material and let them rest until the sealing material has hardened completely (see manufacturer's instructions).



After the functional check, the covering system must be sealed with the appropriate flexible sealing material (e.g. silicone, acrylic).



For the operation of the whirl system, it is absolutely necessary that air can circulate underneath the whirlpool. The bottom edge of the front panels must not be pointed.

D

GB

F

I

E

# KALDEWEI

Europas Nr. 1 in Badewannen

Franz Kaldewei GmbH & Co. KG  
Beckumer Straße 33-35  
59229 Ahlen  
Germany  
Tel. +49 2382 785 0  
Fax +49 2382 785 200  
Internet: [www.kaldewei.com](http://www.kaldewei.com)