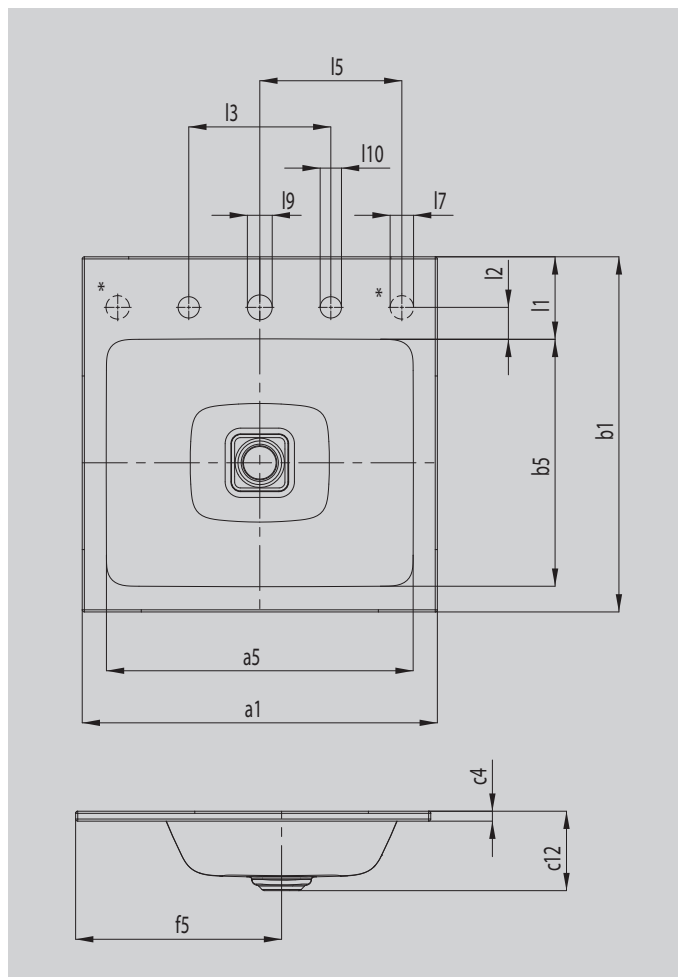


CONO BUILT-IN WASHBASIN

- washbasin with premium character exudes elegance and harmony
- optimally integrated enamelled waste accentuates the underlying geometry of the washbasin
- perfectly complements the CONO range
- unusually generous rim provides space for fittings or individual accessories



Similar illustration



* Rotary knob hole for waste and overflow valve CLOU with cable pull and rotary knob optionally on the right or left

Model		3082
External length	a ₁	1200 mm
Internal length	a ₅	1128 mm
External width	b ₁	500 mm
Internal width	b ₅	343 mm
Height of rim	c ₄	14 mm
Distance basin surface to bottom edge of waste hole	c ₁₂	112 mm
Distance rear edge to centre of waste hole	f ₅	290 mm
Depth of tap deck	l ₁	116 mm
Distance tap holes to edge	l ₂	45 mm
Distance external tap holes (for 3 tap holes)	l ₃	200 mm
Distance tap hole to centre of control knob hole	l ₅	275 mm
Diameter of control knob hole	l ₇	Ø 33 mm
Diameter of centre tap hole	l ₉	Ø 35 mm
Diameter of outside tap hole (for 3 tap holes only)	l ₁₀	Ø 30 mm
Net weight		14 kg