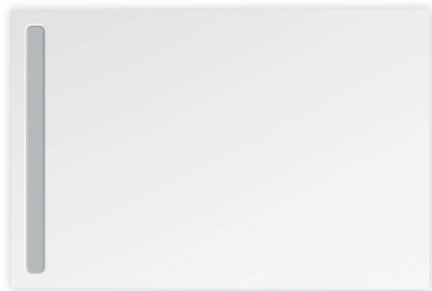


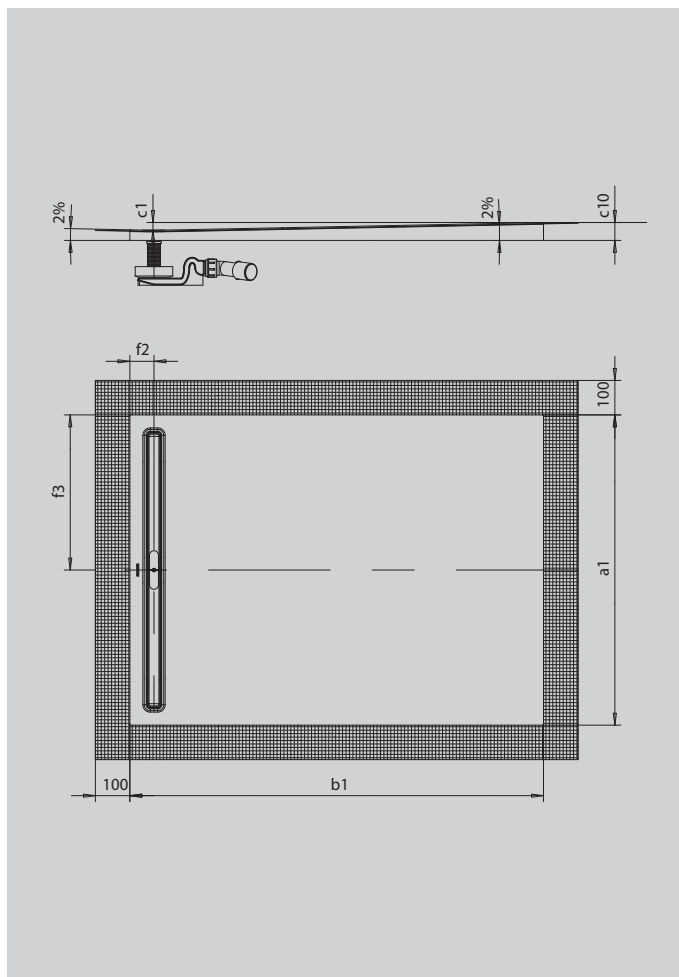
NEXSYS

- Absolutely floor-level shower surface made of KALDEWEI steel enamel
- Design: Absolutely flat surface - no inner contours for a generous standing area and a harmonious bathroom interior. Discreet waste channel with flush design cover
- Pre-assembled 4-in-1 system consisting of enamelled shower surface, waste channel, all-round sealing tape, slope support with counter slope between channel and wall. The system is completed by the desired waste fitting inc. hair catcher and an exclusive design cover from the optional extras
- Accessories included: Sound insulation tape
- Low total height from 84 mm (depending on size and waste fitting)



Similar illustration

Model 2618	KA 4121	KA 4122
Total height	112.0-182.0	92
Fitting height	90.0-160.0	70



ANTISLIP
SECURE

Model		2618
External length	a_1	900 mm
External width	b_1	1200 mm
Depth inside	c_1	22 mm
Height with support	c_{10}	52 mm
Distance bath edge to centre of waste hole	$f_2; f_3$	70; 450 mm
Total height KA 4121, min.		112 mm
Total height KA 4121, max.		182 mm
Total height KA 4122		92 mm
Net weight		26 kg

KALDEWEI