

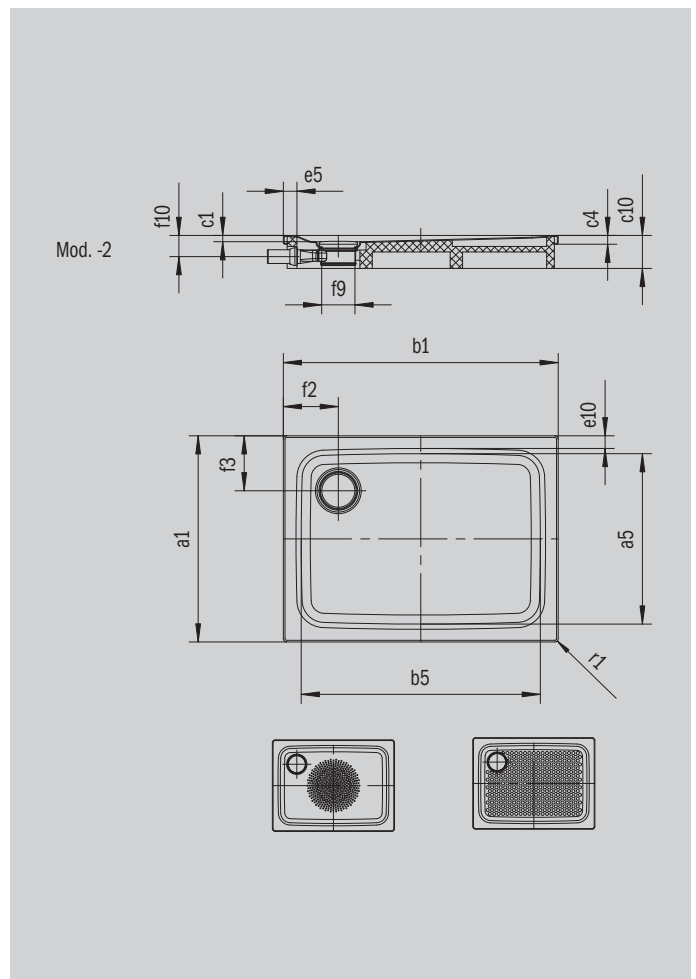
SUPERPLAN PLUS

- elegant, puristic design
- can be installed to be absolutely flush with the floor
- maximum standing comfort thanks to the flat enamelled waste cover that is set flush in the shower tray
- made of KALDEWEI steel enamel



Similar illustration

Model 482	KA 120 horizontal	KA 120 flat	KA 120 vertical
Total height	108	88	49
Fitting height	83	63	83



ANTISLIP
SECURE⁺

Model		482
External length	a_1	750 mm
Internal length	a_5	640 mm
External width	b_1	1200 mm
Internal width	b_5	1090 mm
Depth inside	c_1	25 mm
Height of rim	c_4	32 mm
Total height (height with bottle trap)	c_{17}	109 mm
Width of rim	$e_{10}; a_5$	75; 50 mm
Diameter of waste hole	f_9	Ø 120 mm
Bottle trap connection height	f_{10}	78 mm
Distance bath edge to centre of waste hole	$f_{21}; f_3$	200; 225 mm
External radius	r_1	12 mm
Net weight		24 kg
Diameter of anti-slip		Ø 435 mm
Full anti-slip		524 x 997 mm
ANTI-SLIP SECURE PLUS		full base

KALDEWEI