

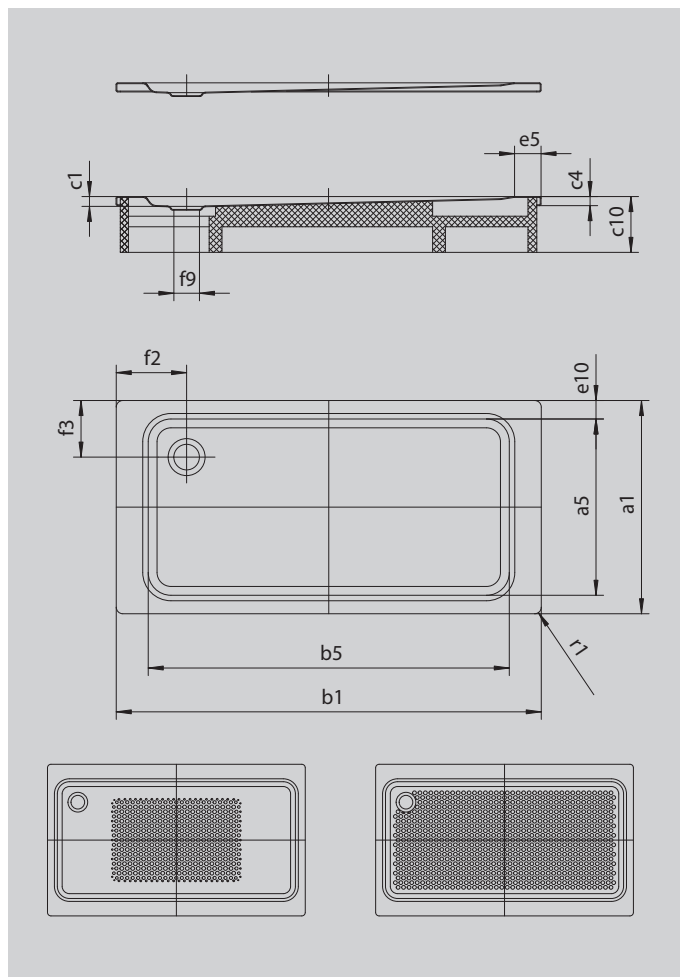
# SUPERPLAN

- exclusive, elegant design
- made of KALDEWEI steel enamel
- flush-fitting recessed waste cover (only in combination with the KA 90 waste fittings)



Similar illustration

Model 445	KA 90 horizontal	KA 90 flat	KA 90 vertical
Total height	131	111	49
Fitting height	80	60	80



ANTISLIP  
**SECURE<sup>+</sup>**

Model		445
External length	$a_1$	1000 mm
Internal length	$a_5$	790 mm
External width	$b_1$	1800 mm
Internal width	$b_5$	1580 mm
Depth inside	$c_1$	51 mm
Height of rim	$c_4$	32 mm
Width of rim	$e_{10}, e_5$	100; 100 mm
Diameter of waste hole	$f_9$	Ø 90 mm
Distance bath edge to centre of waste hole	$f_2, f_3$	250; 250 mm
External radius	$r_1$	12 mm
Net weight		45 kg
Anti-slip		549 x 856 mm
Full anti-slip		649 x 1465 mm
ANTI-SLIP SECURE PLUS		full base

**KALDEWEI**