

SUPERPLAN

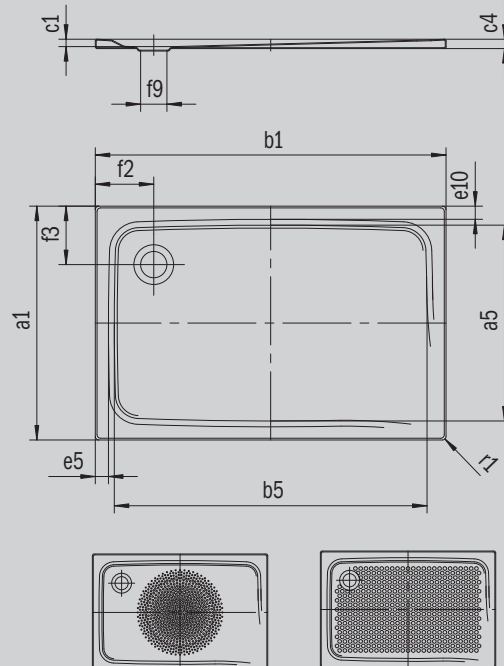
- exclusive, elegant design
- made of KALDEWEI steel enamel
- flush-fitting recessed waste cover (only in combination with the KA 90 waste fittings)



Similar illustration

Model 444	KA 90 horizontal	KA 90 flat	KA 90 vertical
Total height	131	111	49
Fitting height	80	60	80

Mod. -1



ANTISLIP
SECURE⁺

Model		444
External length	a_1	1000 mm
Internal length	a_5	790 mm
External width	b_1	1700 mm
Internal width	b_5	1590 mm
Depth inside	c_1	51 mm
Height of rim	c_4	32 mm
Width of rim	$e_{10}; e_5$	100; 50 mm
Diameter of waste hole	f_9	Ø 90 mm
Distance bath edge to centre of waste hole	$f_2; f_3$	200; 250 mm
External radius	r_1	12 mm
Net weight		44 kg
Anti-slip		549 x 856 mm
Full anti-slip		649 x 1465 mm
ANTI-SLIP SECURE PLUS		full base

KALDEWEI