

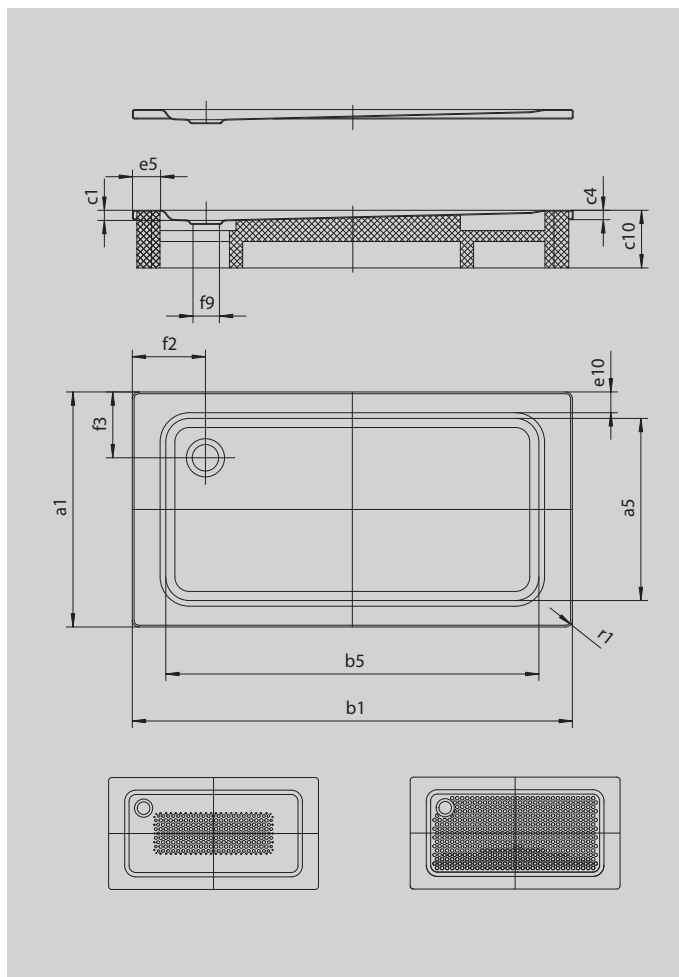
# SUPERPLAN

- exclusive, elegant design
- made of KALDEWEI steel enamel
- flush-fitting recessed waste cover (only in combination with the KA 90 waste fittings)



Similar illustration

Model 442	KA 90 horizontal	KA 90 flat	KA 90 vertical
<b>Total height</b>	123	103	49
<b>Fitting height</b>	80	60	80



ANTISLIP  
**SECURE<sup>+</sup>**

Model		442
External length	$a_1$	1000 mm
Internal length	$a_5$	890 mm
External width	$b_1$	1500 mm
Internal width	$b_5$	1290 mm
Depth inside	$c_1$	43 mm
Height of rim	$c_4$	32 mm
Height with support	$c_{10}$	135 mm
Width of rim	$e_{10}, e_5$	50; 100 mm
Diameter of waste hole	$f_9$	Ø 90 mm
Distance bath edge to centre of waste hole	$f_{21}, f_3$	250; 200 mm
External radius	$r_1$	12 mm
Net weight		40 kg
Anti-slip		549 x 856 mm
Full anti-slip		773 x 1177 mm
ANTI-SLIP SECURE PLUS		full base

**KALDEWEI**