

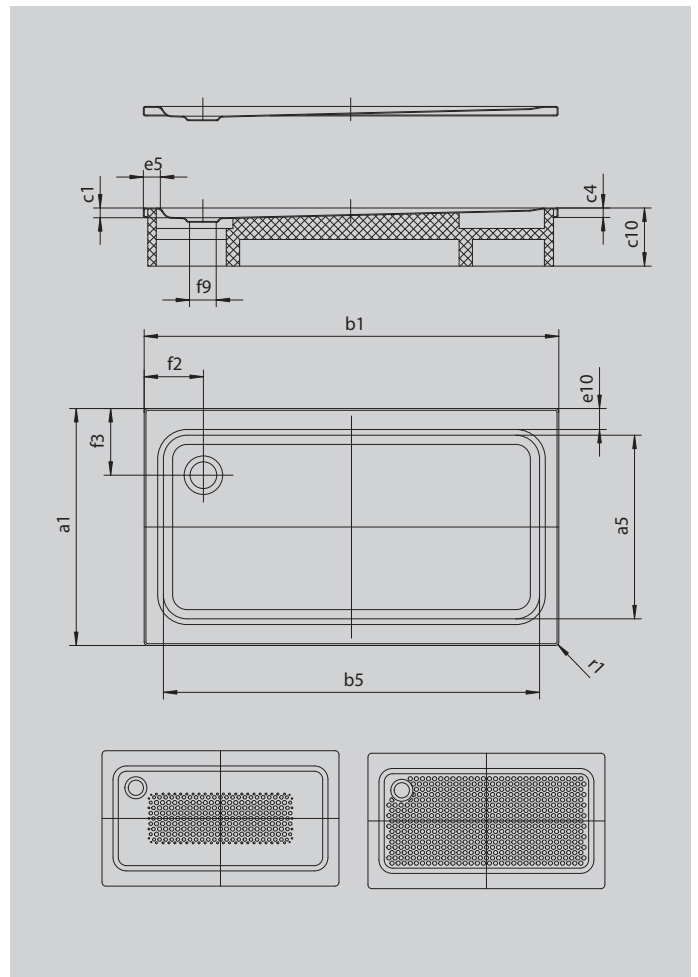
SUPERPLAN

- exclusive, elegant design
- made of KALDEWEI steel enamel
- flush-fitting recessed waste cover (only in combination with the KA 90 waste fittings)



Similar illustration

| Model 438 | KA 90 horizontal | KA 90 flat | KA 90 vertical |
|----------------|------------------|------------|----------------|
| Total height | 105 | 85 | 49 |
| Fitting height | 80 | 60 | 80 |



ANTISLIP
SECURE⁺

| Model | | 438 |
|--|---------------|--------------|
| External length | a_1 | 900 mm |
| Internal length | a_5 | 790 mm |
| External width | b_1 | 1300 mm |
| Internal width | b_5 | 1090 mm |
| Depth inside | c_1 | 25 mm |
| Height of rim | c_4 | 32 mm |
| Height with support | c_{10} | 120 mm |
| Width of rim | $e_{10}; e_5$ | 50; 100 mm |
| Diameter of waste hole | f_9 | Ø 90 mm |
| Distance bath edge to centre of waste hole | $f_2; f_3$ | 250; 200 mm |
| External radius | r_1 | 12 mm |
| Net weight | | 29 kg |
| Anti-slip | | 300 x 856 mm |
| Full anti-slip | | 649 x 997 mm |
| ANTI-SLIP SECURE PLUS | | full base |

KALDEWEI