

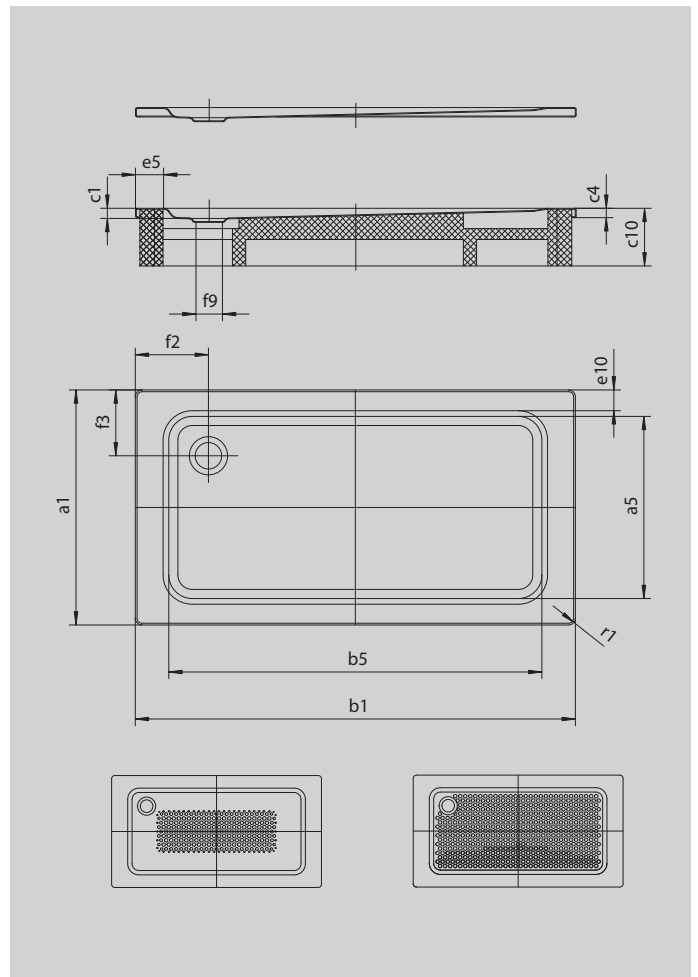
# SUPERPLAN

- exclusive, elegant design
- made of KALDEWEI steel enamel
- flush-fitting recessed waste cover (only in combination with the KA 90 waste fittings)



Similar illustration

Model 431	KA 90 horizontal	KA 90 flat	KA 90 vertical
Total height	119	99	49
Fitting height	80	60	80



ANTISLIP  
**SECURE<sup>+</sup>**

Model		431
External length	$a_1$	700 mm
Internal length	$a_5$	590 mm
External width	$b_1$	1600 mm
Internal width	$b_5$	1290 mm
Depth inside	$c_1$	39 mm
Height of rim	$c_4$	32 mm
Height with support	$c_{10}$	135 mm
Width of rim	$e_{10}, e_5$	50; 150 mm
Diameter of waste hole	$f_9$	Ø 90 mm
Distance bath edge to centre of waste hole	$f_{21}, f_3$	300; 200 mm
External radius	$r_1$	12 mm
Net weight		30 kg
Anti-slip		300 x 856 mm
Full anti-slip		461 x 1177 mm
ANTI-SLIP SECURE PLUS		full base

**KALDEWEI**