

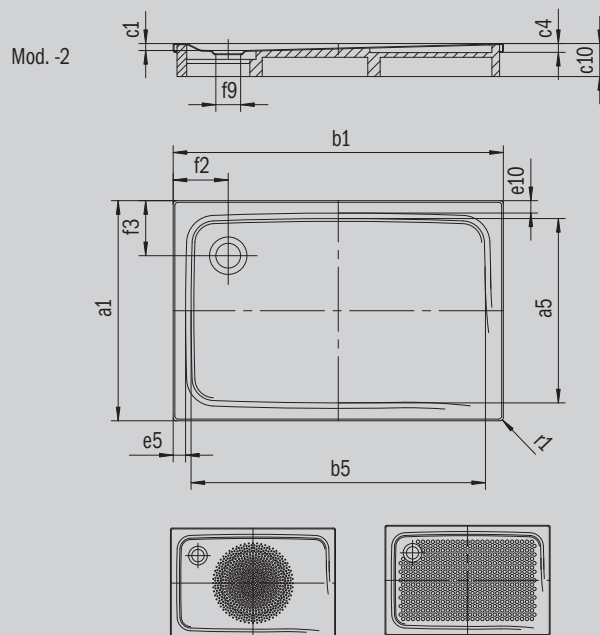
SUPERPLAN

- exclusive, elegant design
- made of KALDEWEI steel enamel
- flush-fitting recessed waste cover (only in combination with the KA 90 waste fittings)



Similar illustration

Model 412	KA 90 horizontal	KA 90 flat	KA 90 vertical
Total height	123	103	49
Fitting height	80	60	80



ANTISLIP
SECURE⁺

Model		412
External length	a_1	1000 mm
Internal length	a_5	890 mm
External width	b_1	1400 mm
Internal width	b_5	1290 mm
Depth inside	c_1	43 mm
Height of rim	c_4	32 mm
Height with support	c_{10}	135 mm
Width of rim	$e_{10}; e_5$	50; 50 mm
Diameter of waste hole	f_9	Ø 90 mm
Distance bath edge to centre of waste hole	$f_{21}; f_3$	200; 200 mm
External radius	r_1	12 mm
Net weight		37 kg
Anti-slip		549 x 856 mm
Full anti-slip		773 x 1177 mm
ANTI-SLIP SECURE PLUS		full base

KALDEWEI