

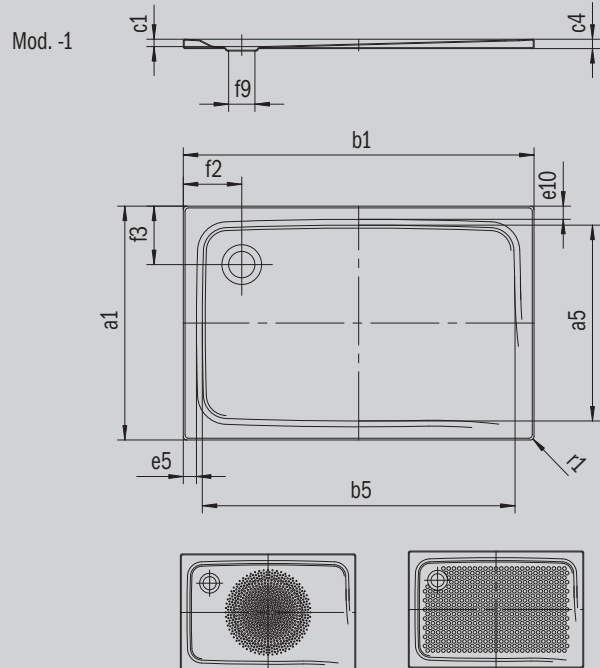
SUPERPLAN

- exclusive, elegant design
- made of KALDEWEI steel enamel
- flush-fitting recessed waste cover (only in combination with the KA 90 waste fittings)



Similar illustration

Model 404	KA 90 horizontal	KA 90 flat	KA 90 vertical
Total height	105	85	37
Fitting height	80	60	80



ANTISLIP
SECURE⁺

Model		404
External length	a_1	900 mm
Internal length	a_5	790 mm
External width	b_1	1000 mm
Internal width	b_5	890 mm
Depth inside	c_1	25 mm
Height of rim	c_4	32 mm
Height with low-profile support	c_{16}	37 mm
Width of rim	e_{10}, e_5	50; 50 mm
Diameter of waste hole	f_9	Ø 90 mm
Distance bath edge to centre of waste hole	f_{21}, f_3	200; 200 mm
External radius	r_1	12 mm
Net weight		24 kg
Diameter of anti-slip		Ø 588 mm
Full anti-slip		649 x 781 mm
ANTI-SLIP SECURE PLUS		full base

KALDEWEI