

# SUPERPLAN

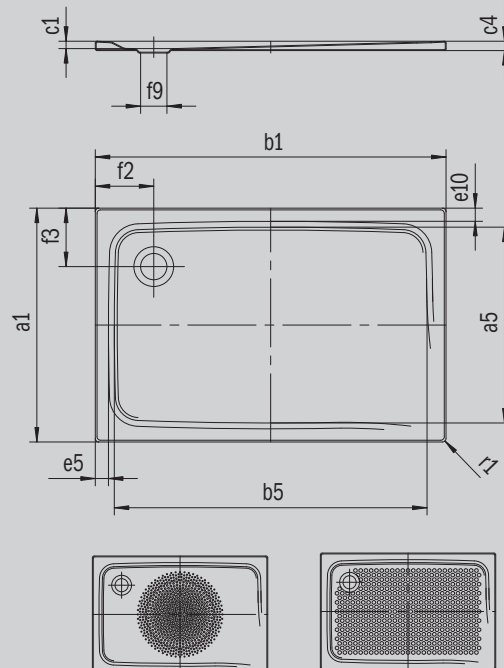
- exclusive, elegant design
- made of KALDEWEI steel enamel
- flush-fitting recessed waste cover (only in combination with the KA 90 waste fittings)



Similar illustration

Model 402	KA 90 horizontal	KA 90 flat	KA 90 vertical
Total height	105	85	49
Fitting height	80	60	80

Mod. -1



ANTISLIP  
SECURE<sup>+</sup>

Model		402
External length	$a_1$	750 mm
Internal length	$a_5$	640 mm
External width	$b_1$	1000 mm
Internal width	$b_5$	890 mm
Depth inside	$c_1$	25 mm
Height of rim	$c_4$	32 mm
Width of rim	$e_{10}, e_5$	50; 50 mm
Diameter of waste hole	$f_9$	Ø 90 mm
Distance bath edge to centre of waste hole	$f_2, f_3$	200; 200 mm
External radius	$r_1$	12 mm
Net weight		20 kg
Diameter of anti-slip		Ø 435 mm
Full anti-slip		524 x 781 mm
ANTI-SLIP SECURE PLUS		full base

**KALDEWEI**