

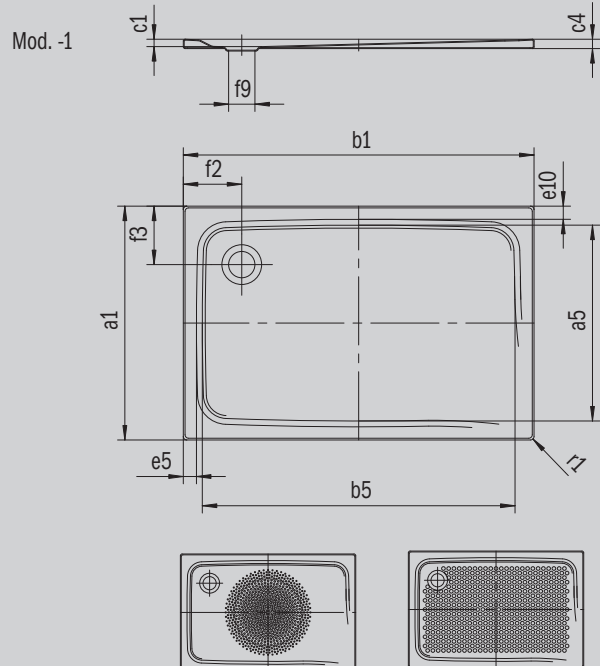
# SUPERPLAN

- exclusive, elegant design
- made of KALDEWEI steel enamel
- flush-fitting recessed waste cover (only in combination with the KA 90 waste fittings)



Similar illustration

Model 399	KA 90 horizontal	KA 90 flat	KA 90 vertical
Total height	105	85	37
Fitting height	80	60	80



ANTISLIP  
**SECURE<sup>+</sup>**

Model		399
External length	$a_1$	1200 mm
Internal length	$a_5$	1070 mm
External width	$b_1$	1200 mm
Internal width	$b_5$	1070 mm
Depth inside	$c_1$	25 mm
Height of rim	$c_4$	32 mm
Height with low-profile support	$c_{16}$	37 mm
Width of rim	$e_{10}; e_5$	50; 50 mm
Diameter of waste hole	$f_9$	Ø 90 mm
Distance bath edge to centre of waste hole	$f_2; f_3$	200; 200 mm
External radius	$r_1$	12 mm
Net weight		37 kg
Diameter of anti-slip		Ø 588 mm
Full anti-slip		1060 x 1105 mm
ANTI-SLIP SECURE PLUS		full base

**KALDEWEI**