

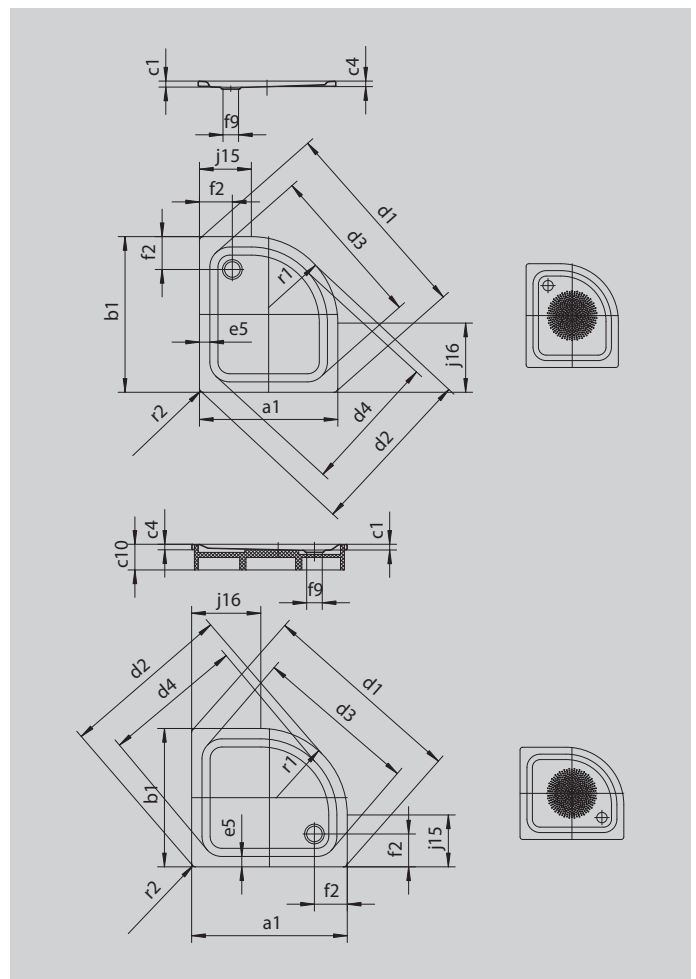
# ZIRKON

- clear design, large standing area
- side waste
- elegant, functional quadrant form allows it to be intelligently installed even in the smallest of spaces
- made of KALDEWEI steel enamel
- flush-fitting recessed waste cover (only in combination with the KA 90 waste fittings)



Similar illustration

Model 606	KA 90 horizontal	KA 90 flat	KA 90 vertical
<b>Total height</b>	115	95	49
<b>Fitting height</b>	80	60	80



Model		606
External length	$a_1$	1000 mm
External width	$b_1$	1000 mm
Depth inside	$c_1$	35 mm
Height of rim	$c_4$	32 mm
Height with support	$c_{10}$	130 mm
Width across corners - external length	$d_1$	1397 mm
Width across corners - external width	$d_2$	1198 mm
Width across corners - internal length	$d_3$	1150 mm
Width across corners - internal width	$d_4$	1015 mm
Width of rim	$e_5$	55 mm
Distance bath edge to centre of waste hole	$f_2$	190 mm
Diameter of waste hole	$f_9$	Ø 90 mm
Side length	$j_6$	500 mm
External radius	$r_1$	500 mm
External radius	$r_2$	20 mm
Net weight		26 kg
Diameter of anti-slip		Ø 588 mm