

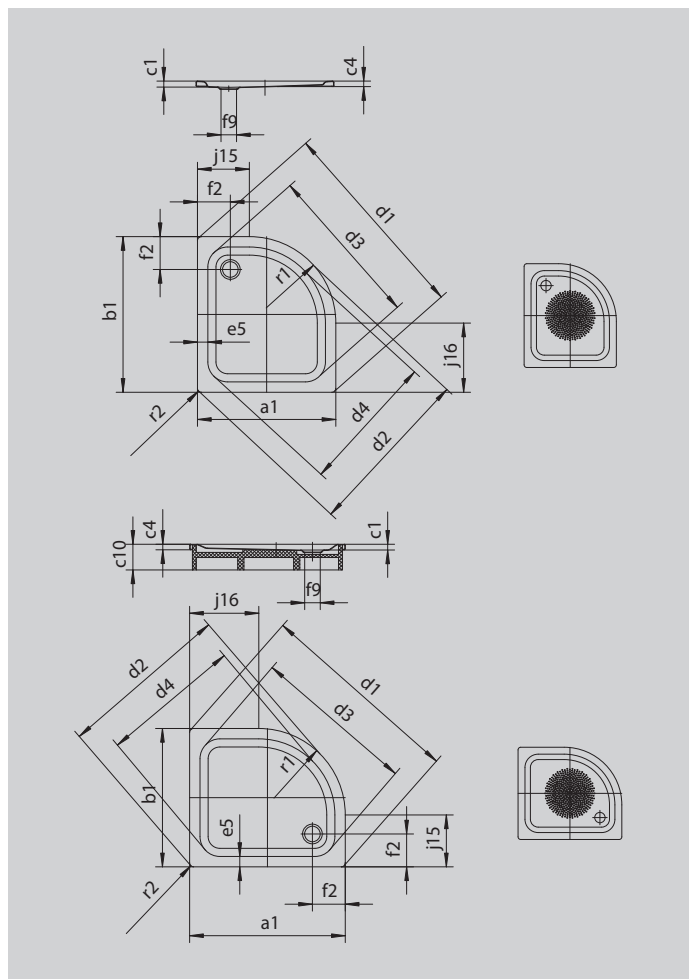
# ZIRKON

- clear design, large standing area
- side waste
- elegant, functional quadrant form allows it to be intelligently installed even in the smallest of spaces
- made of KALDEWEI steel enamel
- flush-fitting recessed waste cover (only in combination with the KA 90 waste fittings)



Similar illustration

Model 604	KA 90 horizontal	KA 90 flat	KA 90 vertical
Total height	115	95	49
Fitting height	80	60	80



Model		604
External length	$a_1$	900 mm
External width	$b_1$	900 mm
Depth inside	$c_1$	35 mm
Height of rim	$c_4$	32 mm
Height with support	$c_{10}$	130 mm
Width across corners - external length	$d_1$	1256 mm
Width across corners - external width	$d_2$	1057 mm
Width across corners - internal length	$d_3$	1007 mm
Width across corners - internal width	$d_4$	870 mm
Width of rim	$e_5$	55 mm
Distance bath edge to centre of waste hole	$f_2$	190 mm
Diameter of waste hole	$f_9$	Ø 90 mm
Side length	$j_6$	400 mm
External radius	$r_1$	500 mm
External radius	$r_2$	20 mm
Net weight		22 kg
Diameter of anti-slip		Ø 435 mm