

# SUPERPLAN

- exclusive, elegant design
- with a depth of 0.98 inch extremely flat and ideally suitable for installing flush with the floor
- made of KALDEWEI steel enamel
- IAPMO
- ASME A112.19.1
- CSA B45.2
- ASTM F-462
- ICC / ANSI A117.1 (ADA): Model No. 391, 399, 407



Illustration shows Model 391

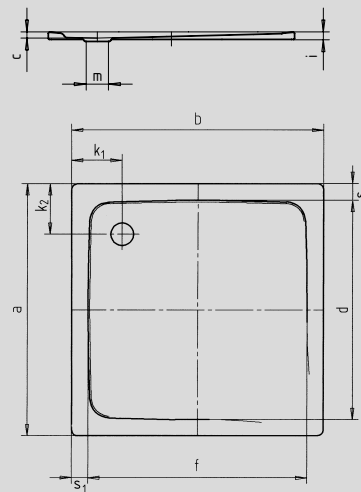
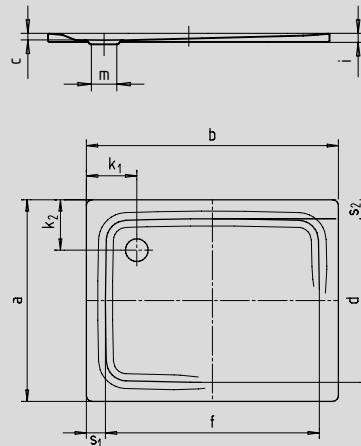


Illustration shows Model 405



		inch	inch	inch	inch	inch	inch	inch	inch
<b>Model No.</b>		<b>391</b>	<b>405</b>	<b>401</b>	<b>403</b>	<b>389</b>	<b>406</b>	<b>407</b>	<b>399</b>
External length	a	39.37	35.43	27.56	29.53	31.50	35.43	39.37	47.24
External width	b	39.37	43.31	47.24	47.24	47.24	47.24	47.24	47.24
Depth	c	0.98	0.98	0.98	0.98	0.98	0.98	0.98	0.98
Internal length	d	34.25	31.10	23.23	25.20	27.56	31.10	35.04	42.13
Internal width	f	34.25	38.98	42.91	42.91	43.31	42.91	42.91	42.13
Height of rim	i	1.26	1.26	1.26	1.26	1.26	1.26	1.26	1.26
Distance tray edge to centre of drain hole	k <sub>1</sub> ; k <sub>2</sub>	7.87; 7.87	7.87; 7.87	7.87; 7.87	7.87; 8.86	7.87; 7.87	7.87; 7.87	7.87; 7.87	7.87; 7.87
Diameter of drain hole	m	3.54	3.54	3.54	3.54	3.54	3.54	3.54	3.54
Width of rim	s <sub>1</sub> ; s <sub>2</sub>	1.97; 1.97	1.97; 1.97	1.97; 1.97	1.97; 2.95	1.97; 1.97	1.97; 1.97	1.97; 1.97	1.97; 1.97
Weight of the enamelled shower tray in lbs		59.52	57.32	50.71	52.91	55.12	63.93	68.34	81.57