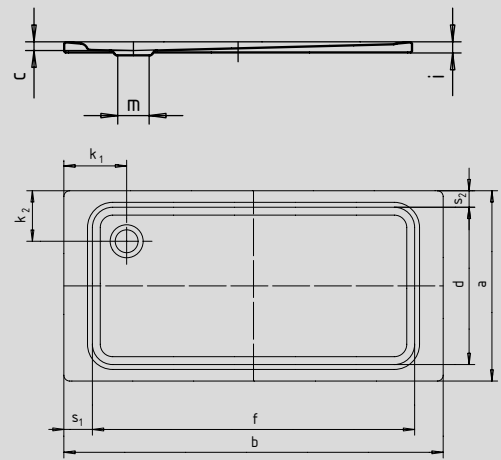


# SUPERPLAN XXL

- exclusive, elegant design
- generous dimensions ideal for showering with a friend
- shallow depth ideal for flush fitting and guarantees easy access
- made of KALDEWEI steel enamel
- IAPMO
- ASME A112.19.1
- CSA B45.2
- ASTM F-462
- ICC / ANSI A117.1 (ADA): Model No. 430, 437, 441, 444, 445



Mod. 437, 441



		inch	inch	inch	inch	inch	inch	inch
Model No.		409	411	430	444	437	441	445
External length	a	27.56	29.53	35.43	39.37	31.50	35.43	39.37
External width	b	66.93	66.93	66.93	66.93	70.87	70.87	70.87
Depth	c	1.85	1.85	2.01	2.01	1.85	2.01	2.01
Internal length	d	23.23	25.20	31.10	31.10	25.20	31.10	31.10
Internal width	f	62.60	62.60	62.60	62.60	62.20	62.20	62.20
Height of rim	i	1.26	1.26	1.26	1.26	1.26	1.26	1.26
Distance tray edge to centre of drain hole	k <sub>1</sub> ; k <sub>2</sub>	7.87; 7.87	7.87; 7.87	7.87; 7.87	7.87; 9.84	8.86; 9.84	9.84; 7.87	9.84; 9.84
Diameter of drain hole	m	3.54	3.54	3.54	3.54	3.54	3.54	3.54
Width of rim	s <sub>1</sub> ; s <sub>2</sub>	1.97; 1.97	1.97; 1.97	1.97; 1.97	1.97; 3.94	3.94; 2.95	3.94; 1.97	3.94; 3.94
Weight of the enamelled shower tray in lbs		70.55	72.75	88.18	97.00	81.57	92.59	103.62

Subject to technical alterations, tolerances and errors. Similar illustration.

**KALDEWEI**