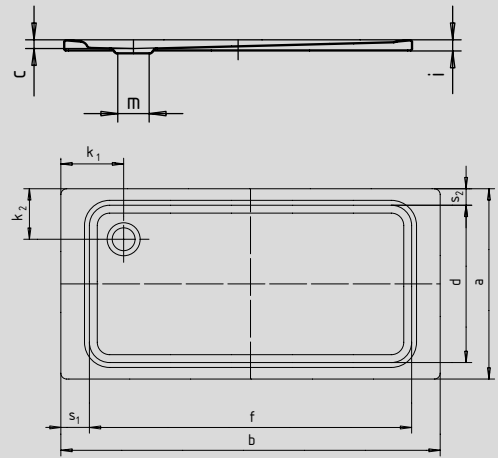


# SUPERPLAN XXL

- exclusive, elegant design
- generous dimensions ideal for showering with a friend
- shallow depth ideal for flush fitting and guarantees easy access
- made of KALDEWEI steel enamel
- IAPMO
- ASME A112.19.1
- CSA B45.2
- ASTM F-462
- ICC / ANSI A117.1 (ADA): Model No. 412



Mod. 433, 435, 438



		inch	inch	inch	inch	inch	inch	inch
<b>Model No.</b>		<b>438</b>	<b>408</b>	<b>410</b>	<b>429</b>	<b>412</b>	<b>433</b>	<b>435</b>
External length	a	35.43	27.56	29.53	35.43	39.37	27.56	29.53
External width	b	51.18	55.12	55.12	55.12	55.12	59.06	59.06
Depth	c	0.98	1.54	1.57	1.69	1.69	1.54	1.57
Internal length	d	31.10	2.323	25.20	31.10	35.04	23.23	25.59
Internal width	f	46.85	50.79	51.18	50.79	50.79	50.79	50.79
Height of rim	i	1.26	1.26	1.26	1.26	1.26	1.26	1.26
Distance tray edge to centre of drain hole	k <sub>1</sub> ; k <sub>2</sub>	9.84; 7.87	7.87; 7.87	7.87; 7.87	7.87; 7.87	7.87; 7.87	9.84; 7.87	9.84; 7.87
Diameter of drain hole	m	3.54	3.54	3.54	3.54	3.54	3.54	3.54
Width of rim	s <sub>1</sub> ; s <sub>2</sub>	3.94; 1.97	1.97; 1.97	1.97; 1.97	1.97; 1.97	1.97; 1.97	3.94; 1.97	3.94; 1.97
Weight of the enamelled shower tray in lbs		68.34	57.32	61.73	72.75	79.37	59.52	66.14

Subject to technical alterations, tolerances and errors. Similar illustration.

**KALDEWEI**