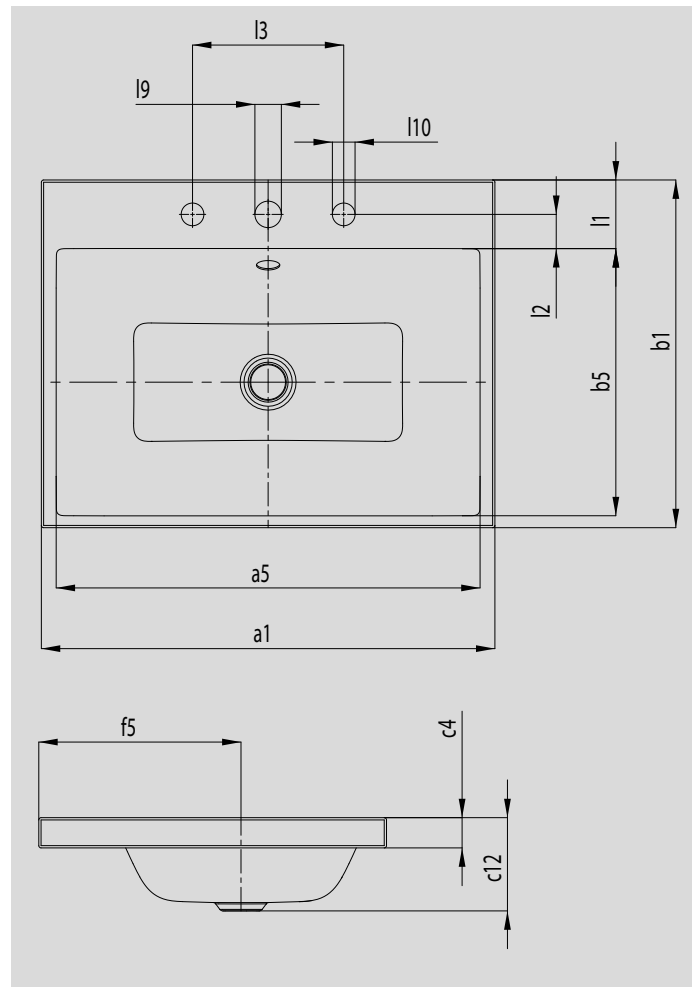


PURO INSET COUNTERTOP WASHBASIN

(HEIGHT OF RIM 1.57 INCH)

- elegant rectangular washbasin in a classically minimalist design
- reduced precise edges
- very generous interior dimensions
- clean and timeless lines – immortalised in long-lasting KALDEWEI steel enamel
- harmonises perfectly with the PURO bath series
- designed by Anke Salomon



		inch	inch	inch
Model No.		3153	3154	3155
External length	a1	18.11	23.62	35.43
Internal length	a5	16.57	22.09	33.86
External width	b1	18.11	18.11	18.11
Internal width	b5	13.94	13.94	13.94
Height of rim	c4	1.57	1.57	1.57
Distance basin surface to bottom edge of waste hole	c12	4.53	4.92	4.92
Distance outer edge to centre of waste hole	f5	10.53	10.53	10.53
Depth of tap deck	l1	3.56	3.56	3.56
Distance tap holes to edge	l2	1.77	1.77	1.77
Distance of outer tap holes (3 tap holes)	l3	7.87	7.87	7.87
Diameter of centre tap hole	l9	1.38	1.38	1.38
Diameter of outside tap holes (3 tap holes only)	l10	1.18	1.18	1.18
Weight of the enamelled washbasin in lbs		13.23	17.64	25.25

Subject to technical alterations, tolerances and errors. Similar illustration.

KALDEWEI