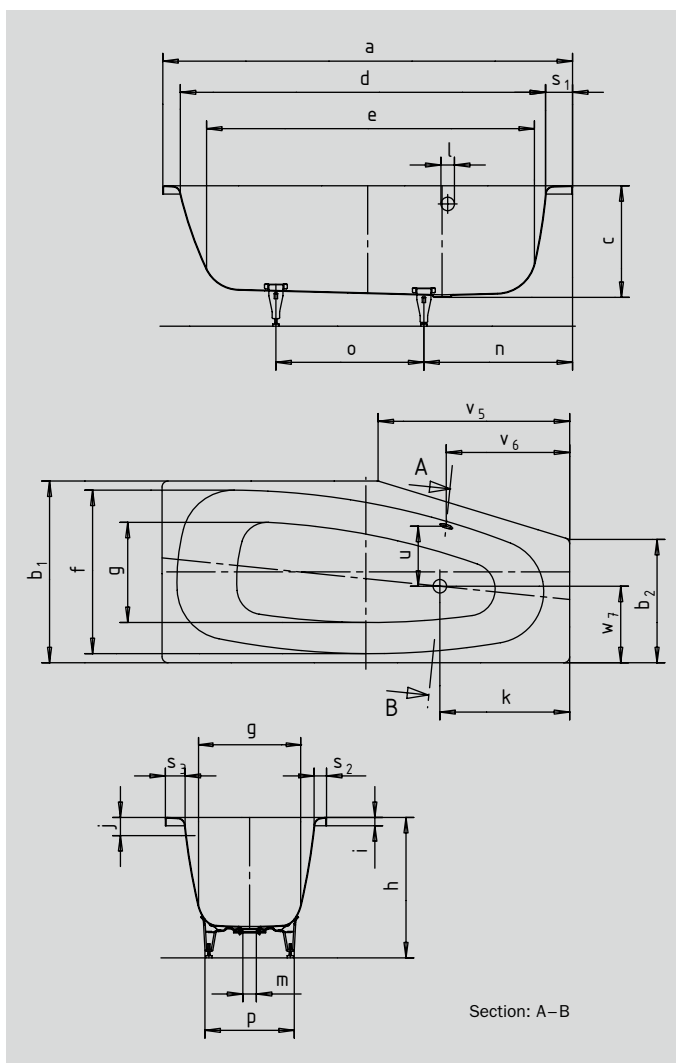


MINI left

- special shape is ideal for small bathrooms
- one-seater bathtub with side overflow
- economic water consumption thanks to its tapering interior contours
- made of KALDEWEI steel enamel
- IAPMO
- ASME A112.19.1
- CSA B45.2
- ASTM F-462
- Uniform Plumbing Code (UPC)
- National Plumbing Code (NPC)
- International Plumbing Code (IPC)



* Feet kit is an optional accessory

Model No.		inch		mm	
		836	836	832	832
External length	a	61.81	1570	61.81	1570
External width	b ₁ ; b ₂	27.56; 18.70	700; 475	29.53; 19.69	750; 500
Depth	c	16.93	430	16.93	430
Internal length (top)	d	55.51	1410	55.51	1410
Internal length (bottom)	e	49.21	1250	49.21	1250
Internal width (top)	f	23.62	600	23.62	600
Internal width (bottom)	g	14.17	360	14.17	360
Height with feet	h	21.65-22.44	550-570	21.65-22.44	550-570
Height of rim	i	1.26	32	1.26	32
Distance top edge to centre of overflow hole	j	2.76	70	2.76	70
Distance tub edge to centre of drain hole	k	19.69	500	19.69	500
Diameter of overflow hole	l	2.05	52	2.05	52
Diameter of drain hole	m	2.05	52	2.05	52
Distance foot end of tub edge to centre of foot	n	22.44	570	22.44	570
Distance between the feet	o	17.32	440	19.29	490
Max. width of feet	p	16.93	430	16.93	430
Width of rim (foot end; lengthwise; at overflow)	s ₁ ; s ₂ ; s ₃	3.94; 1.89; 2.76	100; 48; 70	3.94; 2.36; 2.76	100; 60; 70
Distance between centre holes	u	9.69	246	9.69	246
Distance tub edge (foot end) to overflow hole	v	18.70	475	18.70	475
Length of narrow side	v ₅	29.06	738	32.28	820
Drain hole off-centre	w ₇	12.60	320	12.60	320
Water volume** in gallons		29.05		29.05	
Weight of the enamelled bath tub in lbs		114.64		114.64	

Subject to technical alterations and tolerances.
** 18.49 gallons displacement on average.

KALDEWEI