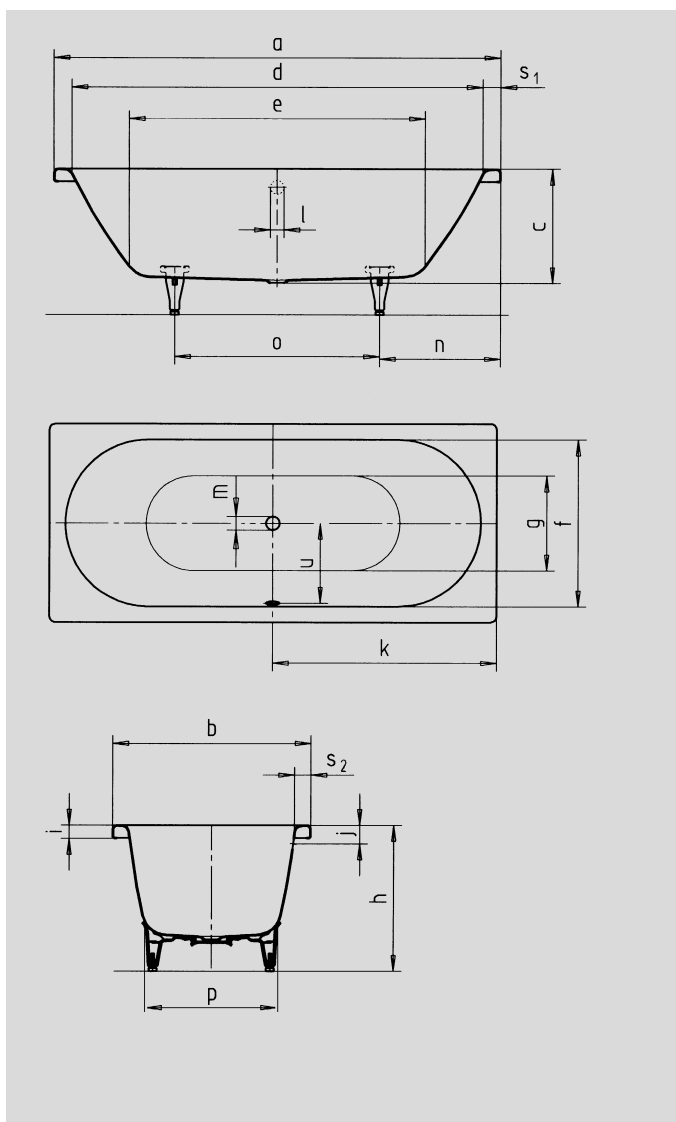


KLASSIKDUO

- puristic simplicity and unpretentious elegance are what distinguish these bathtubs
- bathing with a friend: two identical back rests and centrally positioned outlet
- classical four-cornered model
- made of KALDEWEI steel enamel
- IAPMO
- ASME A112.19.1
- CSA B45.2
- ASTM F-462
- Uniform Plumbing Code (UPC)
- National Plumbing Code (NPC)
- International Plumbing Code (IPC)



* Feet kit is an optional accessory

		inch	inch	inch	inch	inch	inch
Model No.		103	105	107	109	110	114
External length	a	62.99	66.93	66.93	70.87	70.87	74.80
External width	b	27.56	27.56	29.53	29.53	31.50	35.43
Depth	c	16.93	16.93	16.93	16.93	16.93	16.93
Internal length (top)	d	58.27	62.20	62.20	66.14	66.14	70.08
Internal length (bottom)	e	44.55	44.49	44.49	48.43	48.43	52.36
Internal width (top)	f	22.83	22.83	24.80	24.80	26.77	30.71
Internal width (bottom)	g	17.72	17.72	19.69	19.69	21.65	25.59
Height with feet	h	22.44-23.82	22.24-23.62	22.05-23.43	22.05-23.43	21.85-23.23	21.65-22.83
Height of rim	i	1.26	1.26	1.26	1.26	1.26	1.26
Distance top edge to centre of overflow hole	j	2.76	2.76	2.76	2.76	2.76	2.76
Distance tub edge to centre of drain hole	k	31.50	33.46	33.46	35.43	35.43	37.40
Diameter of overflow hole	l	2.05	2.05	2.05	2.05	2.05	2.05
Diameter of drain hole	m	2.05	2.05	2.05	2.05	2.05	2.05
Distance foot end of tub edge to centre of foot	n	22.05	22.05	22.05	23.62	23.62	24.80
Distance between the feet	o	18.90	22.83	22.83	23.62	23.62	25.19
Max. width of feet	p	16.93	16.54	18.50	18.50	21.26	25.59
Width of rim (foot end; lengthwise)	s ₁ ; s ₂	2.36; 2.36	2.36; 2.36	2.36; 2.36	2.36; 2.36	2.36; 2.36	2.36; 2.36
Distance between centre holes	u	11.02	11.02	12.01	12.01	12.99	14.96
Water volume** in gallons		25.09	29.05	32.22	37.77	41.73	56.27
Weight of the enamelled bath tub in lbs		97.00	103.62	105.82	110.23	116.85	136.69

Subject to technical alterations and tolerances.
 ** 18.49 gallons displacement on average.

KALDEWEI