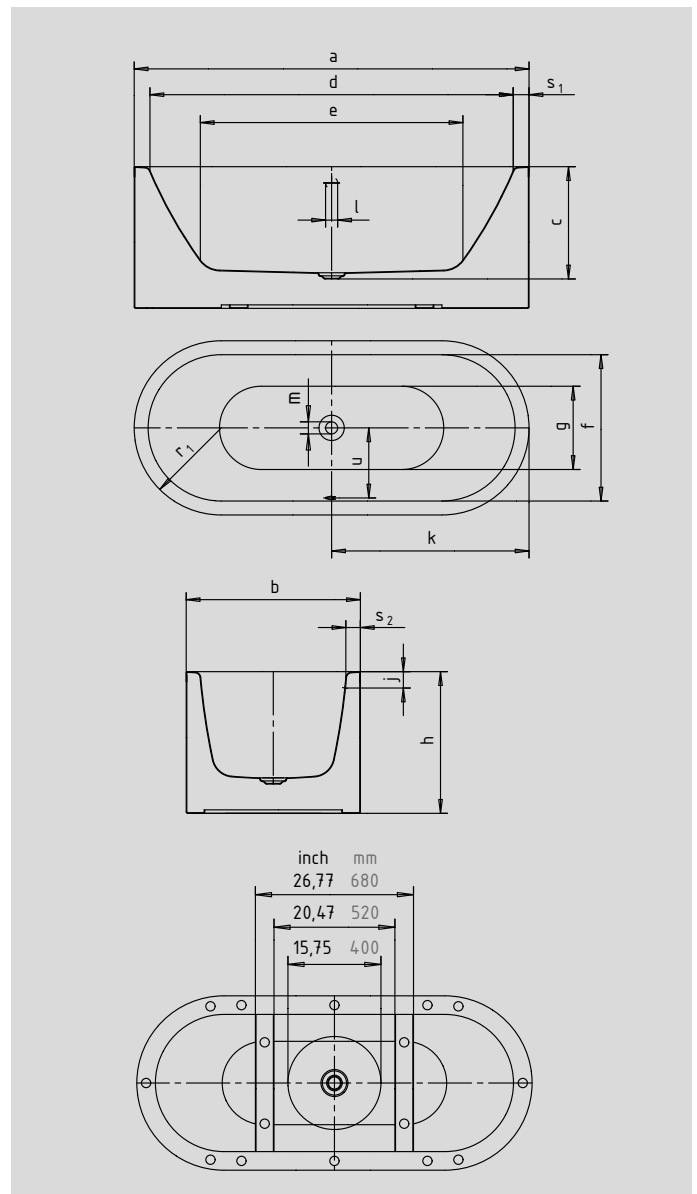


# MEISTERSTÜCK CENTRO DUO OVAL

- pure simplicity and unpretentious elegance are what distinguish these baths
- bathing with a friend: two identical back rests and centrally positioned waste
- with the exclusive easy-clean finish surface
- the moulded panel emphasizes the high design standard and means the bath can be free-standing
- enamelled waste cover integrated in the bath design
- drain included
- made of KALDEWEI steel enamel
- IAPMO
- ASME A112.19.1
- CSA B45.2
- ASTM F-462



Similar illustration

		inch	inch
<b>Model No.</b>		<b>1127</b>	<b>1128</b>
External length	a	66.93	70.87
External width	b	29.53	31.50
Depth	c	19.09	19.09
Internal length (top)	d	62.20	66.14
<b>Internal length (bottom)</b>	<b>e</b>	<b>44.49</b>	<b>48.43</b>
Internal width (top)	f	24.80	26.77
Internal width (bottom)	g	20.08	22.05
Height of bath	h	24.02	24.02
Distance top edge to centre of overflow hole	j	2.76	2.76
Distance tub edge to centre of drain hole	k	33.46	35.43
Diameter of overflow hole	l	2.05	2.05
Diameter of drain hole	m	2.05	2.05
Radius	r <sub>1</sub>	14.76	15.75
Width of rim (foot end; lengthwise)	s <sub>1</sub> ; s <sub>2</sub>	2.36; 2.36	2.36
Distance between centre holes	u	12.09	13.07
Water volume** in gallons		41.2	51.51
Weight of the enamelled bath tub in lbs		264.56	299.83
Waste connection diameter		1.57/1.97	1.57
Fill fitting connection		1/2"	1/2"

Subject to technical alterations and tolerances.  
\*\* 18.49 gallons displacement on average.

**KALDEWEI**