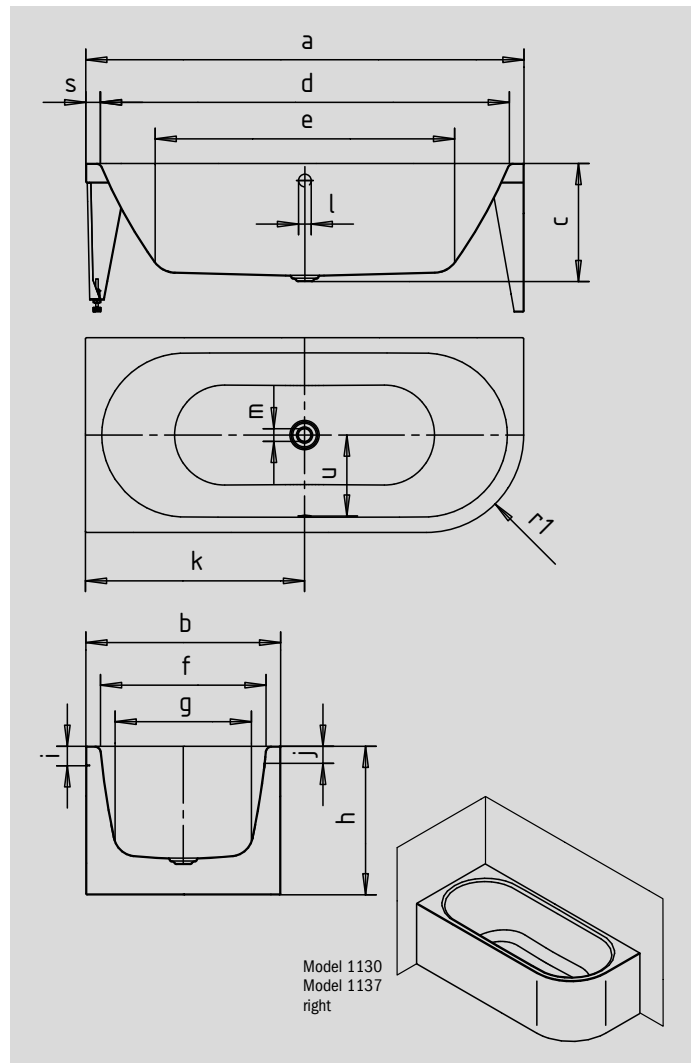


# MEISTERSTÜCK CENTRO DUO 1 RIGHT CORNER INSTALLATION RIGHT (2-SIDED)

- bath made of high-quality steel enamel with enamelled panelling on two sides
- specially designed for corner installation
- with the exclusive easy-clean finish surface
- available in left-hand and right-hand version
- purism and simple elegance are defining features of this bath
- enamelled waste cover integrated in the bath design
- drain included
- made of KALDEWEI steel enamel
- IAPMO
- ASME A112.19.1
- CSA B45.2
- ASTM F-462



		inch	inch
Model No.		1130	1137
External length	a	66.93	70.87
External width	b	29.53	31.50
Depth	c	19.09	19.09
Internal length (top)	d	62.20	66.14
<b>Internal length (bottom)</b>	<b>e</b>	<b>44.49</b>	<b>48.43</b>
Internal width (top)	f	24.80	26.77
Internal width (bottom)	g	20.08	22.05
Height of bath	h	24.02	24.02
Height of rim	i	3.15	3.15
Distance top edge to centre of overflow hole	j	2.76	2.76
Distance tub edge to centre of drain hole	k	33.46	35.43
Diameter of overflow hole	l	2.05	2.05
Diameter of drain hole	m	2.05	2.05
Radius	r1	14.76	15.75
Width of rim (foot end; lengthwise)	s	2.36	2.36
Distance between centre holes	u	12.09	13.07
Water volume** in gallons		41.2	51.51
Weight of the enamelled bath tub in lbs		218.26	238.10
Waste connection diameter		1.57/1.97	1.57/1.97
Fill fitting connection		1/2"	1/2"

Subject to technical alterations and tolerances.  
\*\* 18.49 gallons displacement on average.

**KALDEWEI**