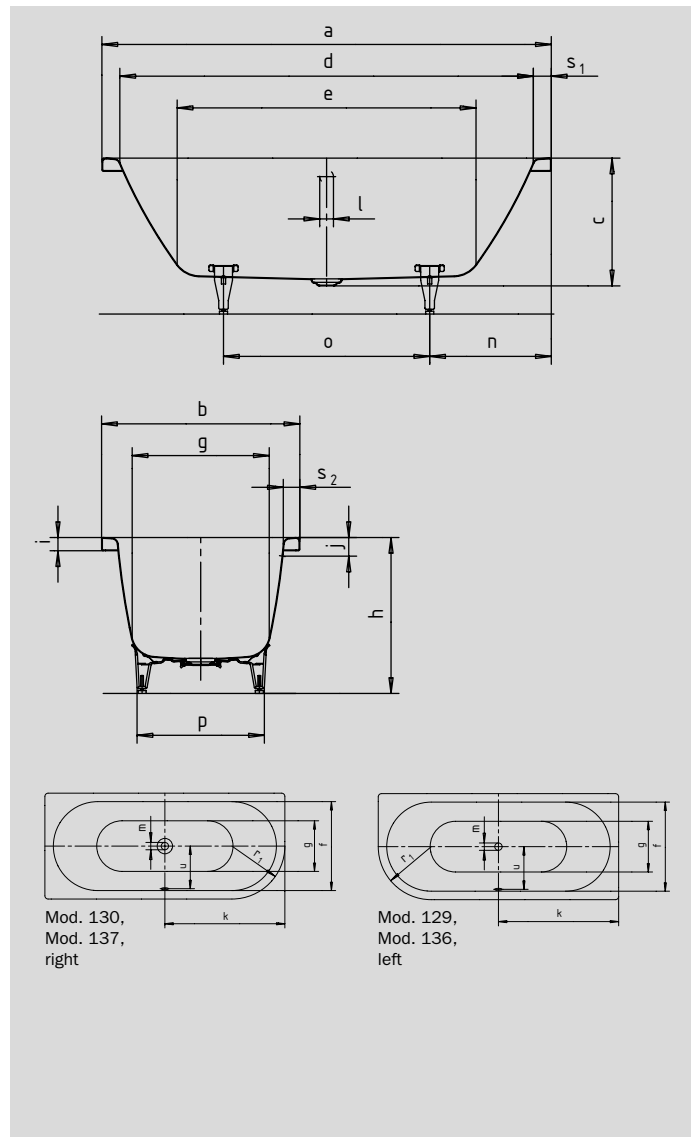


CENTRO DUO 1 LEFT

CENTRO DUO 1 RIGHT

- puristic simplicity and unpretentious elegance are what distinguish these bathtubs
- bathing with a friend: two identical back rests and centrally positioned outlet
- made of KALDEWEI steel enamel
- enamelled waste cover integrated in the bath design
- IAPMO
- ASME A112.19.1
- CSA B45.2
- ASTM F-462
- Uniform Plumbing Code (UPC)
- National Plumbing Code (NPC)
- International Plumbing Code (IPC)



* Feet kit is an optional accessory

Model No.		inch	inch	inch	inch
		129	130	136	137
External length	a	66.93	66.93	70.87	70.87
External width	b	29.53	29.53	31.50	31.50
Depth	c	19.09	19.09	19.09	19.09
Internal length (top)	d	62.20	62.20	66.14	66.14
Internal length (bottom)	e	44.49	44.49	48.43	48.43
Internal width (top)	f	24.80	24.80	26.77	26.77
Internal width (bottom)	g	20.08	20.08	22.05	22.05
Height with feet	h	23.82-25.20	23.82-25.20	23.43-24.80	23.43-24.80
Height of rim	i	1.97	1.97	1.97	1.97
Distance top edge to centre of overflow hole	j	2.76	2.76	2.76	2.76
Distance tub edge to centre of drain hole	k	33.46	33.46	35.43	35.43
Diameter of overflow hole	l	2.05	2.05	2.05	2.05
Diameter of drain hole	m	2.05	2.05	2.05	2.05
Distance foot end of tub edge to centre of foot	n	22.05	22.05	23.62	23.62
Distance between the feet	o	22.83	22.83	23.62	23.62
Max. width of feet	p	18.31	18.31	21.26	21.26
Radius	r ₁	14.76	14.76	15.75	15.75
Width of rim (foot end; lengthwise)	s ₁ ; s ₂	2.36; 2.36	2.36; 2.36	2.36; 2.36	2.36; 2.36
Distance between centre holes	u	12.09	12.09	13.07	13.07
Water volume** in gallons		41.2	41.2	51.5	51.5
Weight of the enamelled bath tub in lbs		116.85	116.85	123.46	123.46

Subject to technical alterations and tolerances.
 ** 18.49 gallons displacement on average.

KALDEWEI