

# CAYONOPLAN

- floor-level shower
- classic design with inner contour
- perfect match for the CAYONO model range
- large standing area with central waste at short side
- made of KALDEWEI steel enamel
- IAPMO
- ASME A112.19.1
- CSA B45.2
- ASTM F-462



Illustration shows Model 2266

Model 2266

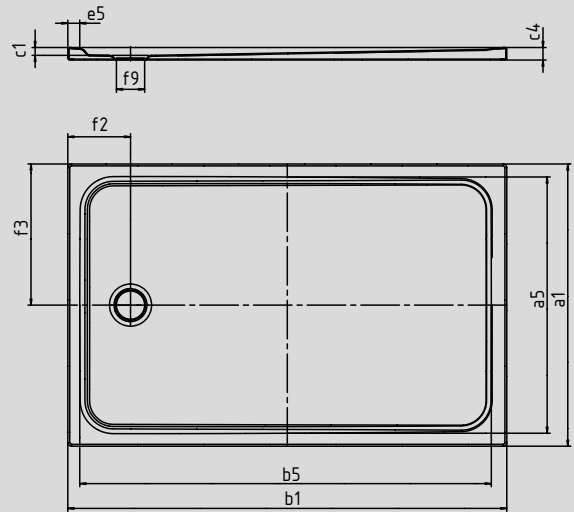
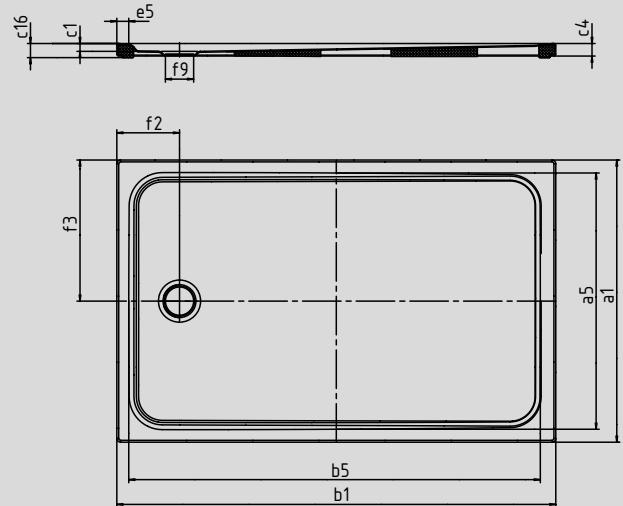


Illustration shows Model 2266 with low profile support



		inch	inch	inch	inch
<b>Model No.</b>		<b>2270</b>	<b>2271</b>	<b>2272</b>	<b>2275</b>
External length	a <sub>1</sub>	29,53	31,50	35,43	29,53
Internal length	a <sub>5</sub>	25,20	27,17	31,10	25,20
External width	b <sub>1</sub>	59,06	59,06	59,06	62,99
Internal width	b <sub>5</sub>	54,72	54,72	54,72	58,66
Internal depth	c <sub>1</sub>	0,98	0,98	0,98	0,98
Height of rim	c <sub>4</sub>	1,57	1,57	1,57	1,57
Height with support	c <sub>16</sub>	1,77	1,77	1,77	1,77
Width of rim	e <sub>5</sub>	1,97	1,97	1,97	1,97
Distance bath edge to centre of drain hole	f <sub>2</sub>	7,87	7,87	7,87	7,87
Distance bath edge to centre of drain hole	f <sub>3</sub>	14,76	15,75	17,72	14,76
Diameter of drain hole	f <sub>9</sub>	3,54	3,54	3,54	3,54
Weight of the enamelled shower tray in lbs		1,18	1,26	1,42	1,22